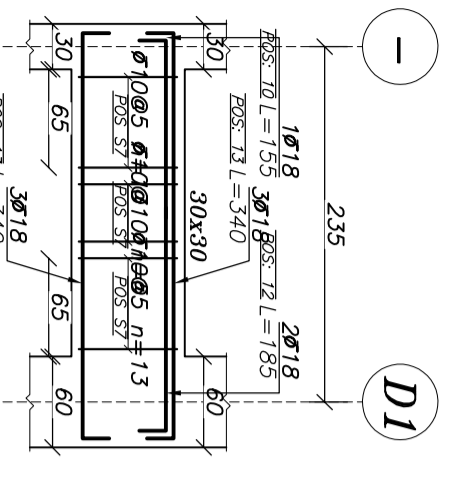


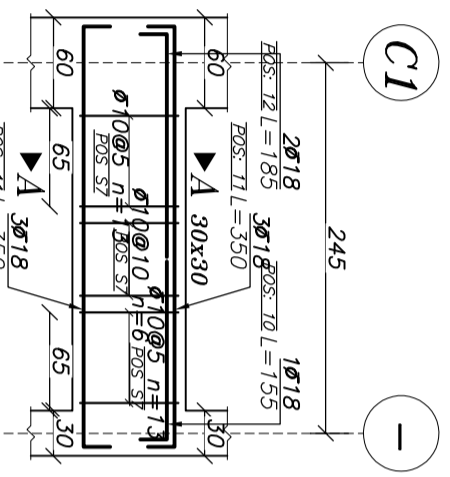
Framing Plan At Elev. +14.15

SC:1:100



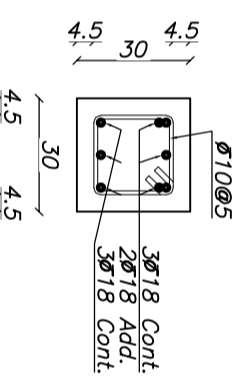
Beam Type B-1

Elev: 210, 697, 1152  
H Scale 1:50  
V Scale 1:20



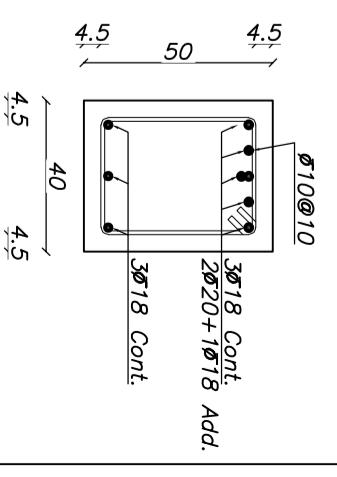
Beam Type B-18

Elev: 274, 761, 1216  
H Scale 1:50  
V Scale 1:20



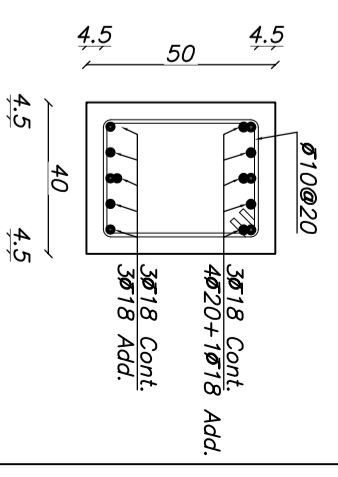
Sec. A-A

Scale 1:20



Sec. L-L

Scale 1:20



Sec. M-M

Scale 1:20